

RP 550/2 THE PRINCESS 550
RP 750/2 THE PRINCESS 750
RP 808/2 THE PRINCESS 808

Both our Princess radiators are based on a design classic that was first introduced in 1898 by the Ideal Radiator Company. Well suited to modern and traditional spaces, its rounded contours and smooth casting make it an easy choice for any kind of space.

The Princess can be painted in any colour to create a dramatic effect.



Arroll[®]

THE PRINCESS 550

RADIATOR DIMENSIONS

Leg section height:	550mm
Middle section height:	537mm
Section length	75mm
Radiator depth:	210mm

INLET & EXIT

Bottom inlet to floor:	103mm
Top inlet to floor:	500mm
Pipe centres to skirting board:	103mm

HEAT OUTPUT PER SECTION

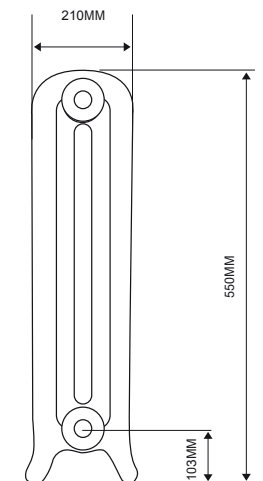
Delta ΔT 50°C	85Watts / 290BTUs
Delta ΔT 60°C:	107Watts / 366BTUs

RADIATOR WEIGHT

Empty weight per leg section:	7.71Kgs
Empty weight per middle section:	8.31Kgs
Filled weight per leg section:	10.06Kgs
Filled weight per middle section:	10.58Kgs

INTERNAL VOLUME

Leg section	2000ml
Middle section	2000ml



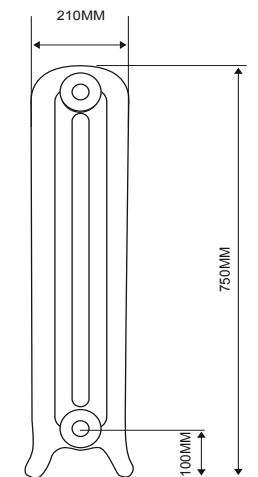
*All measurements and sizes are approximate.

Terms & Conditions
 It is the policy of Arroll Limited to allow a 4% +/- tolerance on all measurements and sizes provided. It is not recommended that plumbers fit pipe centres prior to the arrival and fitting of the radiator. Warranty is subject to the installation of the radiator in accordance to the fitting instructions supplied. The Arroll name including its trademark is registered property of Arroll Limited, Belfast.

RP 505/2 RP 750/2 RP 808/2 THE PRINCESS 550, 760 & 810

RP 550/2 THE PRINCESS 550
RP 750/2 THE PRINCESS 750
RP 808/2 THE PRINCESS 808

Arroll[®]



THE PRINCESS 750

RADIATOR DIMENSIONS

Leg section height:	750mm
Middle section height:	695mm
Section length	79mm
Radiator depth:	210mm

INLET & EXIT

Bottom inlet to floor:	100mm
Top inlet to floor:	700mm
Pipe centres to skirting board:	105mm

HEAT OUTPUT PER SECTION

Delta ΔT 50°C	111Watts / 379BTUs
Delta ΔT 60°C:	140Watts /479BTUs

RADIATOR WEIGHT

Empty weight per leg section:	10.10Kgs
Empty weight per middle section:	8.90Kgs
Filled weight per leg section:	13.70Kgs
Filled weight per middle section:	11.78Kgs

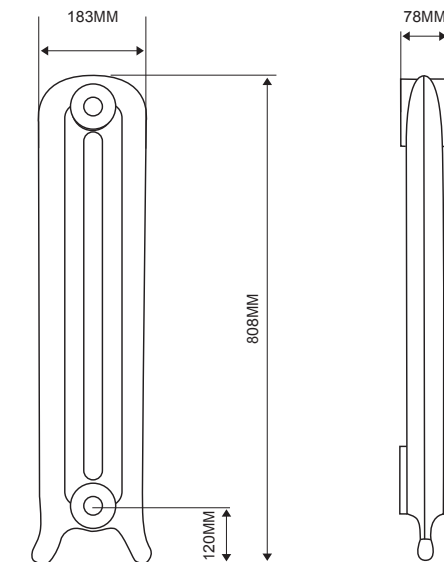
INTERNAL VOLUME

Leg section	2700ml
Middle section	2500ml

*All measurements and sizes are approximate.

Terms & Conditions

It is the policy of Arroll Limited to allow a 4% +/- tolerance on all measurements and sizes provided. It is not recommended that plumbers fit pipe centres prior to the arrival and fitting of the radiator. Warranty is subject to the installation of the radiator in accordance to the fitting instructions supplied. The Arroll name including its trademark is registered property of Arroll Limited, Belfast.



THE PRINCESS 808

RADIATOR DIMENSIONS

Leg section height:	808mm
Middle section height:	739mm
Section length	78mm
Radiator depth:	183mm

INLET & EXIT

Bottom inlet to floor:	120mm
Top inlet to floor:	763mm
Pipe centres to skirting board:	93mm

HEAT OUTPUT PER SECTION

Delta ΔT 50°C	121Watts / 413BTUs
Delta ΔT 60°C:	152Watts /522BTUs

RADIATOR WEIGHT

Empty weight per leg section:	11.28Kgs
Empty weight per middle section:	9.41Kgs
Filled weight per leg section:	14Kgs
Filled weight per middle section:	12.24Kgs

INTERNAL VOLUME

Leg section	2850ml
Middle section	2900ml

*All measurements and sizes are approximate.

RP 505/2 RP 750/2 RP 808/2 THE PRINCESS 550, 760 & 810